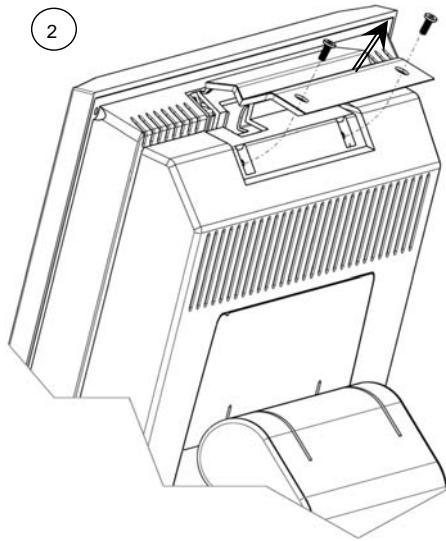


1

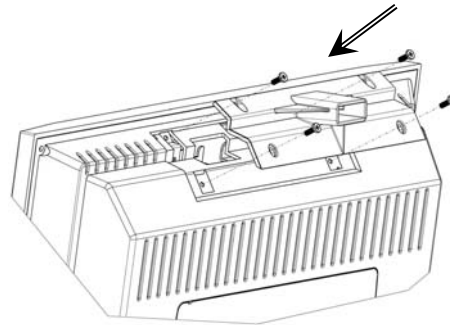
**Driver and Configuration**

- This VFD module is communicating via USB using a virtual COM port.
- Please connect the USB connector and the 12V power bypass as shown in figure 7 / 8.
- Factory default settings: 115200-8-N-1 running ESC/POS compatible protocol.
- Manuals and driver software is available here: <http://www.preh-keytec.com> → Support → Touchscreen

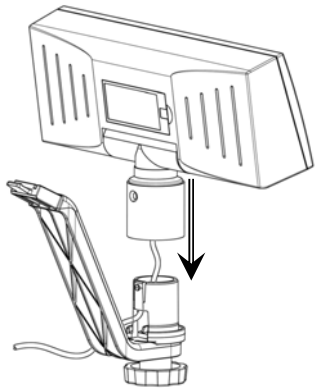
2



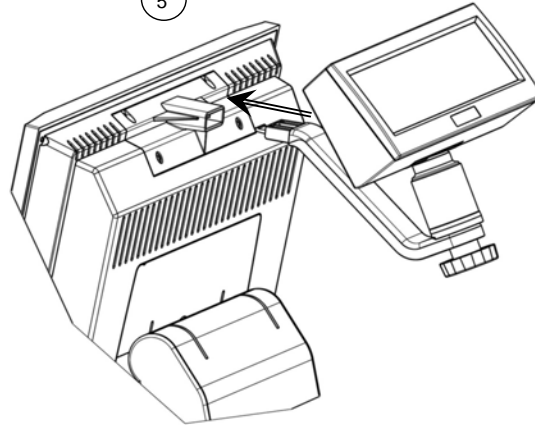
3



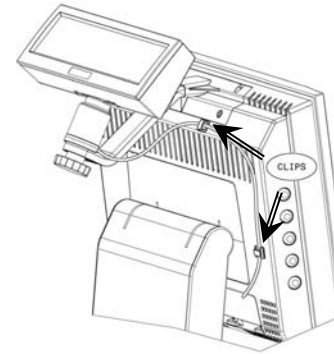
4



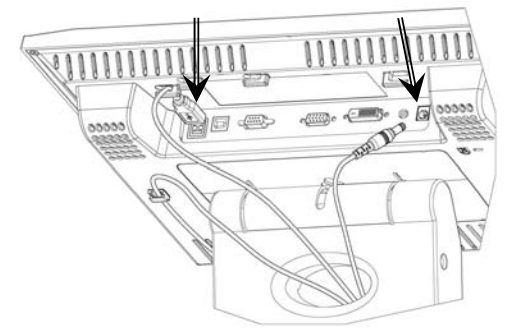
5



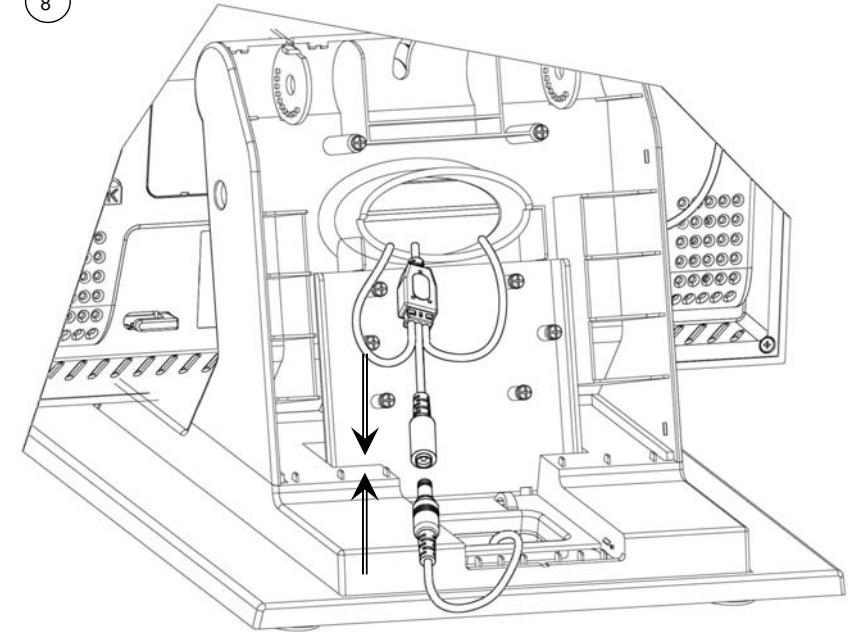
6



7



8



The materials used for this module are listed by Underwriters Laboratories (UL).  
By assembling of modules to the MCI 15 touchscreen, the whole equipment is not covered by the UL-certification anymore!

turn page →